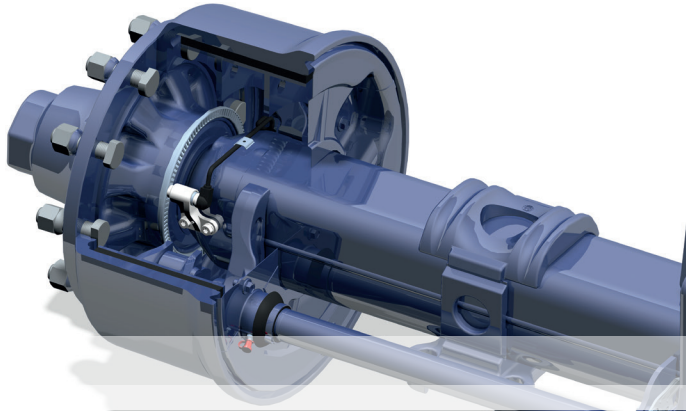


ABS Sensor



True-running pole wheel press-fitted onto the hub. Enhanced ABS operational reliability thanks to sensor positioning in rigid axle center; no clearance changes as a result of fluctuating axle loads.

No wheel lockup means **less wear on tires.**
